

OCSZ Series

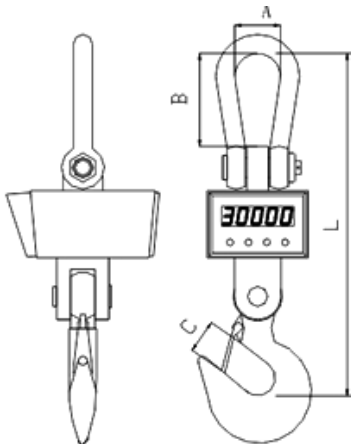
FEATURES

- Fast resolution switching
- 56mm 5 digits LED display
- Fixed hook
- Idle mode to maximize the battery life
- HOLD function
- Tare In / Tare Out
- Unit switch: kg / lb
- Weight accumulation function
- Auto overload alarm at 100%F.S. +9e
- Auto power-off function



OPTION

- Wireless Scoreboard



Model	OCSZ
Type	Heavy Duty
Accuracy Class	OIML III
Enclosure	Whole Steel Anti-collision
Display	56mm LED
Capacity Available	20 / 30 / 40 / 60 / 100 Klb
Battery Life	80 Hours
High Quality Load Receptor	Alloy Steel
Shackle	H.D. Bow
Hook	H.D. Eye
High Capacity Rechargeable Battery	Yes 6V/10Ah
Infrared Remote Control	Yes

Rated Capacity	Division	A	B	C	L	N.W.	G.W.
10t / 20Klb	5kg / 10 lb	105mm	140mm	70mm	850mm	60kg / 132.3 lb	tba
15t / 30Klb	5kg / 10 lb	140mm	160mm	75mm	900mm	80kg / 176.4 lb	tba
20t / 40Klb	10kg / 20 lb	150mm	180mm	80mm	950mm	95kg / 209.4 lb	tba
30t / 60Klb	10kg / 20 lb	165mm	215mm	90mm	1120mm	165kg / 363.8 lb	200kg / 400.9 lb
50t / 100Klb	20kg / 50 lb	180mm	235mm	105mm	1350mm	395kg / 870.8 lb	tba

*Dimensions and specifications are subject to change without notice.